

Features

- Intel® Celeron® Processor J3455
- IP65 front panel, IP41 for back
- Dual Display
- 1 x Gigabit Ethernet
- 2 x M.2 slot for (WiFi/mSATA)
- Available in Black or White Exterior
- Optional MSR / Camera / RFID
- Optional Stand / Thermal printer / 2nd Display



Specifications

System	
CPU	Intel® Celeron® J3455 Processor, Apollo Lake Platform
System Memory	1 x 204-pin DDR3L SODIMM Socket Up to 8GB DDR3L 1600MTs SDRAM
I/O Chip	EC ITE IT8528E
Display Graphics	Intel® HD Graphics 500
Ethernet Chipset	1 x RJ45 with Intel® I211AT
Audio Chipset	Realtek ALC892, 2 x 2W
Expansion	1 x M.2 B-Key slot for mSATA module 1 x M.2 E-Key slot for .24/5G WiFi module
Storage	M.2 2242 SATA 32GB 1 x SD Card slot
OS Support	Windows 10, Android 8.x, Linux
Panel	
Main LCD	15.6" 1920 x 1080 Full HD
2nd LCD Panel	Optional 15.6" 1920 x 1080 Full HD
Display Type	Full HD
Resolution	1920 x 1080
Pixel pitch	0.179 x 0.179
Luminance	300cd/m2
Contrast ratio	700
Viewing angle	89 (U), 89 (D), 89 (L), 89 (R)
Response Time	14ms
Backlight	LED
Touch Type	Projective Capacitive
Touch Light Transmission	85%
Touch Controller	USB interface, EETI
External I/O	
USB	2 x USB 3.0 on bottom side of Panel 4 x USB 3.0 on bottom side of Stand
COM Port	2 x COM ports supported All Pin 9 supported 5V/12V 1A max output
Cash Drawer	J-11 for Cash Drawer
Optional	Camera/ NFC/ MSR

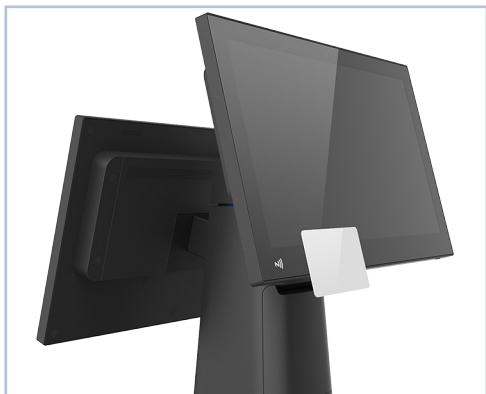
Thermal Printer	
Printing Method	SEIKO thermal printer CAPD347D-E
Power Requirement	
Power Connector	Lockable DC Jack
Power Type	AT/ATX
Cash Drawer	J-11 for Cash Drawer
Adapter	24V DC in 60W or 120W (Printer SKU)
Mechanical and Environment	
Operating Temperature	0°C ~ 40°C (32°F ~ 104°F)
Storage Temperature	-20°C ~ 60°C (-4°F ~ 140°F)
Weight	10kg (Dual display mode)
Construction	Plastic
IP Rating	IP65 for front Panel, IP41 for Rear
Dimension	253 x 390 x 431mm
Certification Information	CE/FCC/VCCI : Class B



▲ Available in Black or White Exterior



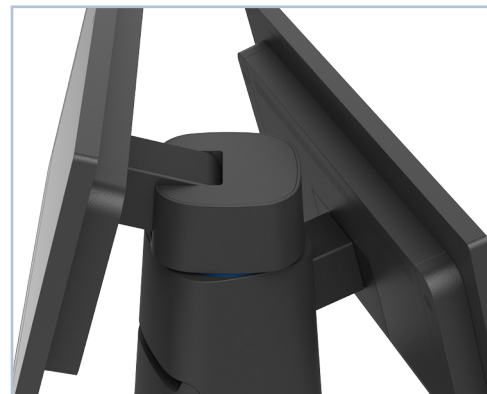
▲ Rotatable Screen Display



▲ Built-in RFID/NFC



▲ Rich I/O Ports



▲ Adjustable Angle

Module Combinations

A



Standalone
Touch Panel PC

A + B + D



Full Stand
with Printer
Touch Panel PC

A + B + C + D



Full Stand with
Printer, Customer
Display, I/O Box



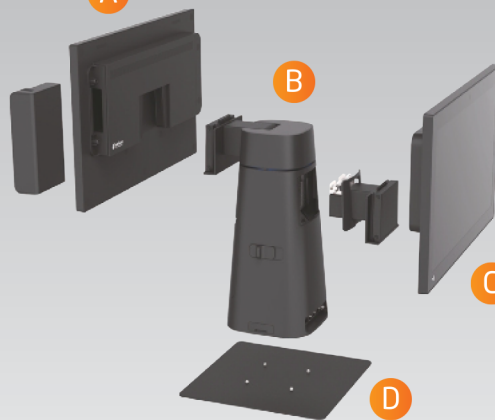
Portrait
Mode

A

B

C

D



* All product specifications and images are subject to change without notice. Last update: 2020/11/02

