

Features

- Onboard 6th Gen Intel® ULT Core™ i5 6300U 2.40GHz BGA Processor
- Full Flat Front Panel with Projected Capacitive Touch Supports Multi Touch
- One SODIMM sockets supports up to 16GB DDR4 2133 SDRAM
- 4 USB3, 2 COM
- Dual Intel Gigabit LAN
- Wide Voltage +12V ~ +26V Input, ErP Power
- Available Expansion for Audio, USB, COM, HDMI, MPCle, GPIO, CAN Bus
- IP65 Compliant Front Panel, IP41 Rear Box
- With Panel Mount kits included
- TPM 1.2 Function (Optional)



Specifications

System	
CPU	6th Gen Intel® Core™ i5-6300U, 2-Core, 2.4GHz processor
I/O Chip	EC ITE IT8528E
System Memory	1 x 260-Pin DDR4 2133MHz SO-DIMM up to 16 GB
Watchdog Timer	H/W Reset, 1sec. ~ 65535min. and 1sec. or 1min./step
H/W Status Monitor	Monitoring CPU & System Temperature and Voltage
Expansion	1 x mini-PCIe Support mSATA 1 x 80-pin IET interface
Storage	1 x 2.5" Drive Bay (7mm HDD Restricted)
OS Information	Win 7, Win 8, 10, Linux

Panel	
LCD Size	12.1", 4:3, XGA
Resolution	1024x768
Pixel Pitch	0.1905 mm (H) x 0.1905 mm (V)
Luminance	600 Cd/m2
Contrast Ratio	700
Viewing Angle	70 (U), 70 (D), 80 (L), 80 (R)
Response Time	16ms
Backlight	LED
Touch Type	Projective Capacitive Multi-Touch up to 10 points
Touch Light Transmission	89%
Touch Controller	USB touch (EETI)

Display	
Chipset	Intel® Skylake SoC Integrated Graphics Supports dual display (Optional)
Resolution	HDMI: Max. resolution 4096x2160 @ 24Hz (Optional by IET module)

Audio	
Chipset	Realtek ALC892
Speaker Output	2 x 0.6W

Ethernet	
Chipset	1 x Intel® I210AT 1 x Intel® I219LM
Interface	10/100/1000 Base-Tx GbE compatible
LAN Port	2 x RJ-45

I/O	
USB	4 x USB 3.0
SATA	1 x SATA III
COM Port	1 x RS-232/422/485, 1 x RS-232
Other	3 x Knockouts for Antenna Mounting

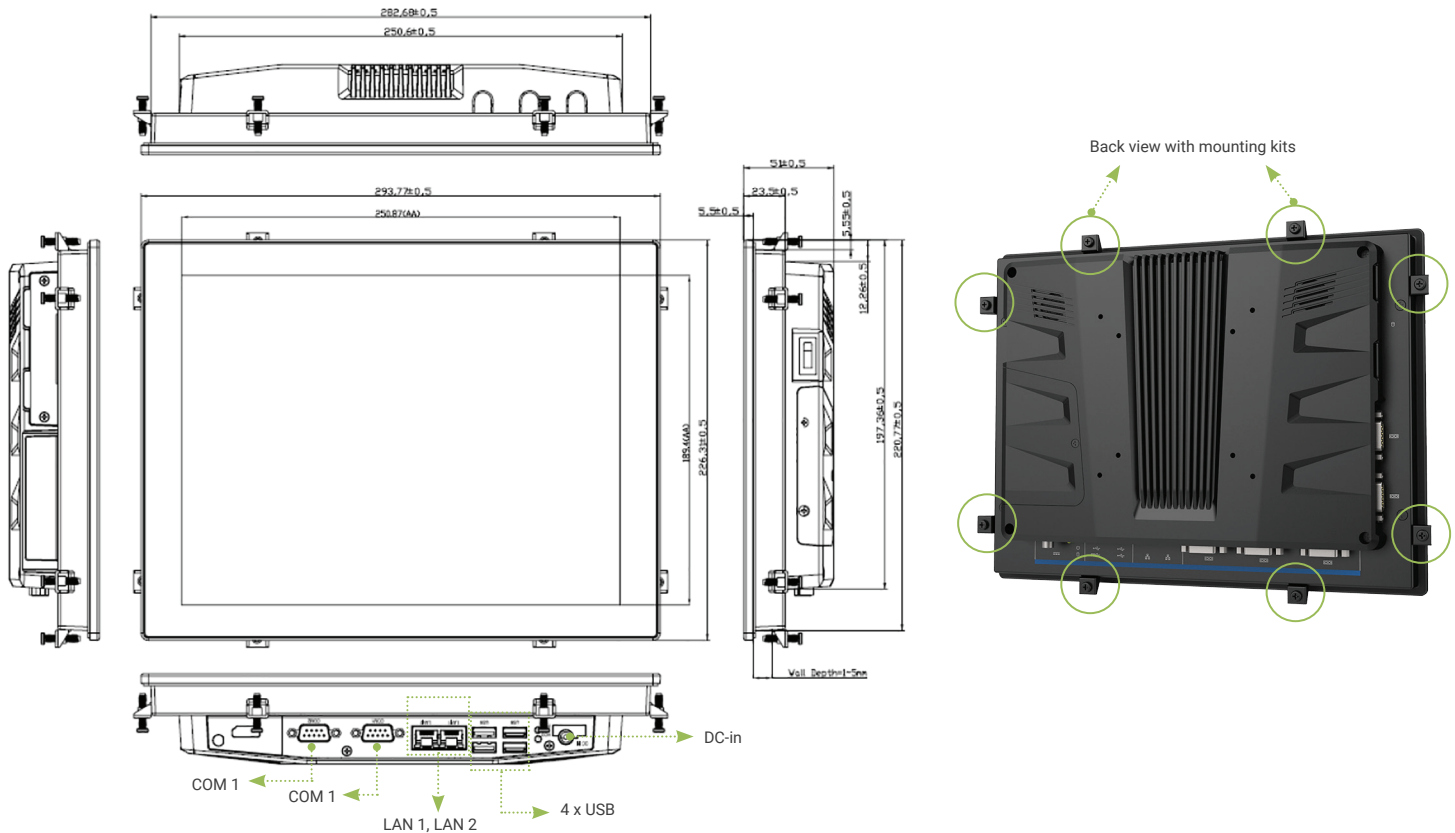
Power Requirement

Power Connector	Lockable DC Jack
Power Type	AT/ATX (ATX is default setting)
Power Requirement	+12V ~ +26V
Adapter	Input: 100 ~ 240Vac/ 50 ~ 60Hz Output: 60W Adapter (12V @ 5A Adapter) AC-DC Adapter

Mechanical and Environment

Operating Temp	-10°C ~ 50°C (-14°F ~ 122°F)
Storage Temp	-20°C ~ 60°C (-4°F ~ 140°F)
Operating Humidity	0% ~ 90% Relative Humidity, Non-condensing
Weight	5.6 lbs / 2.54 Kgs
Dimension	11.5" x 6.89" x 2.03" (292.86 x 225.4 x 51.5 mm)
Mounting Kit	Wall / Stand / VESA 75mm x 75mm, 100mm x 100mm
IP Rating	Front IP65 Rear IP41
Rear IP41	With CF/SSD : 10Grms, IEC 60068-2-27, Half Sine, 11ms
Vibration Test	With SSD/mSATA : 3Grms, IEC 60068-2-64, Random, 5 ~ 500Hz, 1hr/axis
Shock Test	Operating with SSD/CFast/mSATA : MIL-STD-810G, Method 516.6, Procedure I, functional shock=20G
System Fan	Fanless
Construction - Front	Metal with Cover lens
Construction - Rear	Black Diet Casting
Certification	CE FCC Class B

ARC-1232-B - 12.1" 6th Gen Intel® ULT Core™ Processor i7/i5/i3 Fanless Rugged Touch Panel PC



Ordering Info

ARC-1232-B-6300U	Intel 6th Gen ULT Core i5-6300U 2.4GHz/2GLAN/2COM/4USB/12~26V Input barebone Panel PC
ACC-ARC-USB	4 x USB 3.0 Kit for ARC Series
ACC-ARC-AUDIO	HDMI + 5.1 CH Audio Kit for ARC Series
ACC-ARC-MPCIE	HDMI + MPCIE w/SIM Kit for ARC Series
ACC-ARC-COM-1R	2 x Isolated RS-232 Kit for ARC Series
ACC-ARC-COM-2R	3 x RS-232 Kit for ARC Series
ACC-ARC-COM-3R	2 x RS-232 + USB Kit for ARC Series
ACC-ARC-COM-4R	2 x RS-232 + LAN Kit for ARC Series
ACC-ARC-GPIO	12-bit GPIO + 2-pin CAN Bus Kit for ARC Series
ACC-ARC-OBDDII-1R	OBDDII - CAN Bus Kit for ARC Series (OBDDII/EOBD for Small Vehicle)
ACC-ARC-OBDDII-2R	OBDDII - CAN Bus Kit for ARC Series (J1939/J1708 for Large Vehicle)
ACC-ARC-OBDDII-3R	OBDDII - CAN Bus Kit for ARC Series (ISO15765-4 for Special Large Vehicle)

* All product specifications and images are subject to change without notice. Last update: 7/31/2018



BCM Advanced Research

11 Chrysler, Irvine, CA 92618 USA
An industry leader in industrial motherboards & embedded computing

www.bcmcom.com

BCMSales@bcmcom.com
(949) 470-1888